

bourdon tube pressure gauges anti-vibration heavy duty version DS 4" (100mm)



PED 2014/68/EU

Instruments designed for use in power station units, pumps, hydro-cleaning machines, presses, engine compressors, turbines, diesel engines, as well as in chemical, petrochemical, and refrigerating plants. They are also suitable for machines and equipment exposed to pulsating pressures or mechanical vibrations. These instruments can be used with gaseous or liquid media that do not corrode copper alloys, have low viscosity, and do not crystallize.

1.10.1 - Standard Model

Design: EN 837-1.

Safety designation: S1 as per EN 837-2.

Ranges: from 0...15 to 0...15000 PSI (from 0...1 to 0...1000 bar or other equivalent units).

Accuracy class: 1,0 as per EN 837-1.

Ambient temperature: -40...+149 °F (-40...+65 °C)

Process fluid temperature:

-13...+212 °F (-25...+100 °C) for ranges ≤ 600 psi (40 bar);

-13...+248 °F (-25...+120 °C) per campi ≥ 600 psi (40 bar).

Thermal drift: ±0,4 %/10 °C of range (starting from 68°F - 20°C).

Working pressure:

100% of FSV for static pressure;

90% of FSV for pulsating pressure.

Overpressure limit: 30% of FSV (max 12 h).

Protection degree: IP 55 as per IEC 529.

Socket material:

copper alloy with internal restrictor Ø 0.03" (0,8 mm).

Bourdon tube:

copper alloy for ranges ≤ 600 psi (40 bar);

AISI 316L st.st.for ranges > 600 psi (40 bar).

Case: stainless steel.

Ring: stainless steel, bayonet lock

Window: tempered glass

Movement: copper.

Dial: aluminium, white with black markings

Pointer: not adjustable, aluminium ,black

1.10.2 - Fillable Model

Protection degree: IP 67 as per IEC 529.

Other features: as Standard Model.

1.10.3 - Filled Model

Damping liquid: glycerine 98% or silicon oil.

Ambient temperature:

+32...+149 °F (0...+65 °C) with glycerine filling;

-40...+149 °F (-40...+65 °C) with silicon oil filling.

Process fluid temperature: max +149°F (+65 °C).

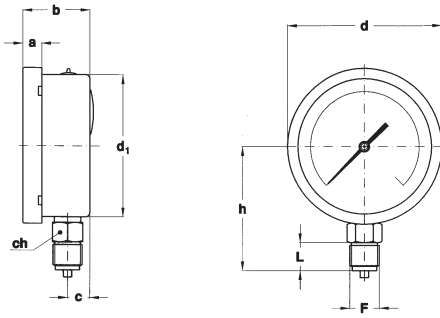
Protection degree: IP 67 as per IEC 529.

Other features: as Standard Model

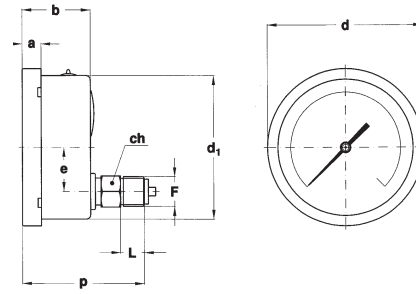
bourdon tube pressure gauge
anti-vibration heavy duty version, DS 4" (100mm)

MGS10

RC6 - 03/14



A - LOWER CONNECTION



D - BACK CONNECTION

Mounting	F	a	b	c	d	d ₁	e	h	p	ch	L	Weight (1)
Lower	41M - G 1/2 A	0.51"	1.91"	0.63"	4.35"	3.97"		3.38"		0.86"	0.78"	1.14 lbs
	43M - 1/2-14 NPT	(13)	(48,6)	(16,1)	(110,6)	(101)		(86)		(22)	(20)	(0,52 kg)
Back	41M - G 1/2 A	0.51"	1.91"		4.35"	3.97"	1.22"		3.41"	0.86"	0.78"	1.25 lbs
	43M - 1/2-14 NPT	(13)	(48,6)		(110,6)	(101)	(31)		(86,8)	(22)	(20)	(0,57 kg)

dimensions : inches (mm)

(1) add 0.72 lbs (0,33 kg) when filled

OPTIONS

Model	standard	fillable	filled
B - "U"-clamp, for back connection pressure gauges	◆	◆	◆
C - Back flange, for lower connection pressure gauges	◆	◆	◆
E - Front flange, for back connection pressure gauges	◆	◆	◆
L22 - Maximum pointer IP 67 on polycarbonate window (1)		◆	◆
P01 - Suitable for filling with silicone		◆	
S10 - Silicone filling			◆
T32 - Safety glass window	◆	◆	◆

(1) Accuracy refers to the area free from the maximum pointer action.

"HOW TO ORDER" SEQUENCE

Section / Model / Case / Mounting / Diameter / Range / Process connection / Options
1 10 1 A E 41M B, C, E
2 D 43M L22...T32
3

